

VIPER LIFT™
V2100 (long bed)

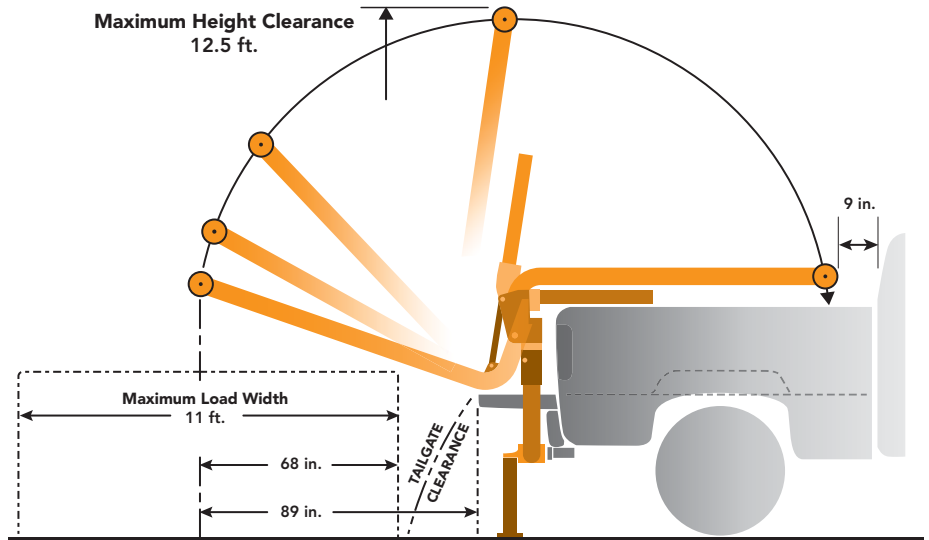
Distances and Clearances

Requirements

- 3/4-ton or 1-ton pickup trucks (Certain Nissan Titan models can also be accommodated.)
- Heavy-duty, 2 1/2" square, Class V receiver
- 12v DC power supply
- HD Towing Package generally required
- Open bed (no caps or side tool-boxes)

Other Considerations:

- Some tonneau covers may interfere
- Pickups larger than one 1 ton and tailgates wider than 64 inches subject to approval.
- Some stepside body styles are not recommended.



Full dimensional drawing available

Lifting/Lowering Capacity (Requires Class V, 2 1/2" Receiver)

IMPORTANT

1. The stabilizer jack must always be attached before lifting/lowering a load.
2. Lifting/lowering more than 1,400 lbs. should not be attempted in its fully-extended position. Doing so may damage the truck's receiver. Instead, position the crane at a higher point (as shown) and then use the hoist to lift/lower the load.

